



Pretense™

RADIUS TENSIONED
RESIN PANEL CANOPIES



**NORTON
INDUSTRIES**
INCORPORATED

NORTON INDUSTRIES
PRETENSE

design

Artwork for your ceiling



create

Drama using standard products and components



inspire

Take any project to the next level



school auditoriums,

airport concourses, atriums,

retail, commercial,

lecture halls, classrooms,

lobbies, cafeterias...

endless possibilities!

Blue 30 Multiwall 4' x 10' Panels

Fanning/Howey Associates, Inc.
St. Mary's Memorial High School / St. Mary's Middle School

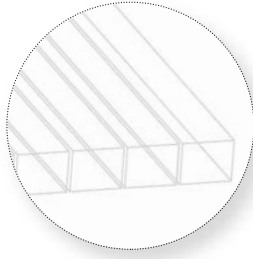


Pretense

Pretense canopies use either the linear multiwall polycarbonate or a solid polycarbonate sheet which is tensioned to a radius. The end cap and hardware comes assembled, ready to tension and hang. The tension cables are exposed.

Multiwall canopies offer larger sizes up to 4' x 10' with 10 standard colors.

Solid canopies offer 26 standard colors as well as graphics with a maximum size of 2' x 6'.



MULTIWALL SMOOTH RESIN CANOPIES

MULTIWALL: Our extruded polycarbonate sheet has two walls that are flat and 3/8" apart with a channel of polycarbonate separating them giving the illusion of depth and an attractive linear pattern. The linear pattern of the multiwall sheet always runs the length of the canopy.

RESIN MATERIAL: Multiwall Polycarbonate 3/8"

WEIGHT: .75# per square foot

SIZE & RADIUS:

WIDTH	ARC LENGTH	ARC	CORD LENGTH
24", 30", 36", 48"	4'	60°	3'9-3/4"
24", 30", 36", 48"	5'	60°	4'9-5/16"
24", 30", 36", 48"	5'	90°	4'6"
24", 30", 36", 48"	6'	60°	5'8-3/4"
24", 30", 36", 48"	6'	90°	5'4-13/16"
24", 30", 36", 48"	8'	30°	7'10-15/16"
24", 30", 36", 48"	8'	50°	7'9"
24", 30", 36", 48"	10'	30°	9'10-5/8"
24", 30", 36", 48"	10'	50°	9'8-1/4"

COLOR SELECTION:



CLEAR 80



ICE 32



SILVER 18



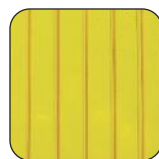
BRONZE 42



WAVE 80



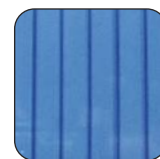
RED 12



YELLOW 70



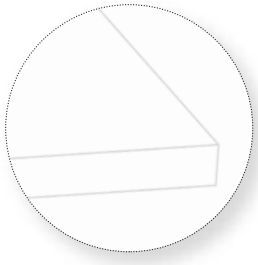
ORANGE 55



BLUE 30



GREEN 42



SOLID SMOOTH RESIN CANOPIES

SOLID: Our extruded polycarbonate sheet is .220" thick solid polycarbonate with a color layer processing and matte finish on both sides.

RESIN MATERIAL: .220" solid extruded polycarbonate

WEIGHT: 2.5# per square foot

SIZE & RADIUS:

WIDTH	ARC LENGTH	ARC	CORD LENGTH
16" and 24"	4'	60°	3'9-3/4"
16" and 24"	5'	60°	4'9-5/16"
16" and 24"	5'	90°	4'6"
16" and 24"	6'	60°	5'8-3/4"
16" and 24"	6'	90°	5'4-13/16"

COLOR SELECTION:

opaque



PRIMARY
RED

PRIMARY
YELLOW



PRIMARY
BLUE

SECONDARY
GREEN



SECONDARY
ORANGE

SECONDARY
PURPLE



DARK ORANGE
491

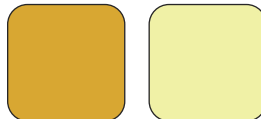
semi-opaque



GREEN 383

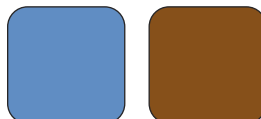
RED 201

LIGHT BLUE 549



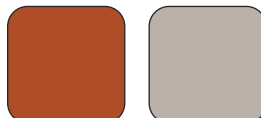
ORANGE 131

LIGHT YELLOW
7492



BLUE 646

BROWN 7517



ORANGE 1805

DARK BEIGE
7530

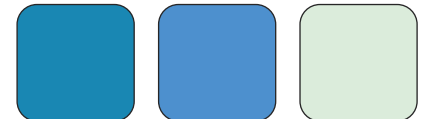
translucent



DARK BLUE 293

BEIGE 7502

LIGHT PURPLE
271



TEAL 7459

BRIGHT BLUE
300

LIGHT GREEN
7493



BRIGHT LIGHT
BLUE 305

BRIGHT PURPLE
525



BRIGHT ORANGE
164

CHARCOAL 447

Custom COLOR

Our Pantone color matching process provides you with the option to have your canopies produced using any color of the rainbow, literally — without a premium cost!

In addition, we can print custom graphics, photographs, or images on your canopies (see page 10 for more details).

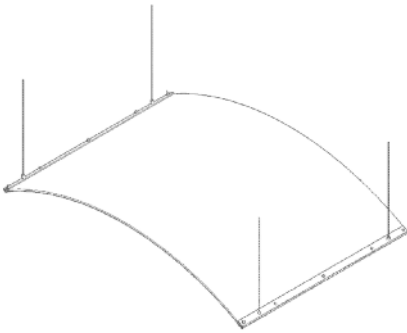
Colored samples are available upon request at www.nortonceilings.com

Pretense

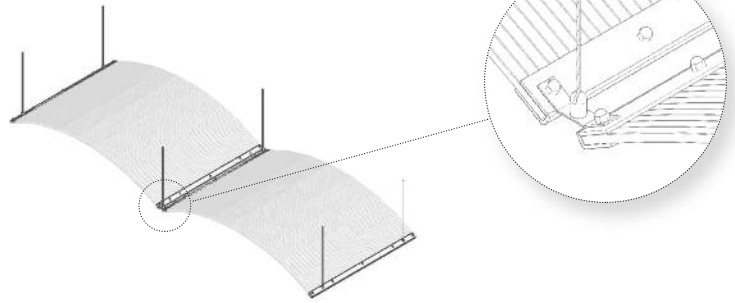
SUSPENSION OPTIONS

*1-1/2" reveal between
all joining panels*

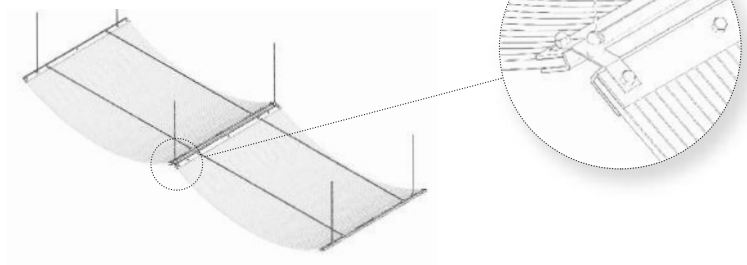
CONCAVE



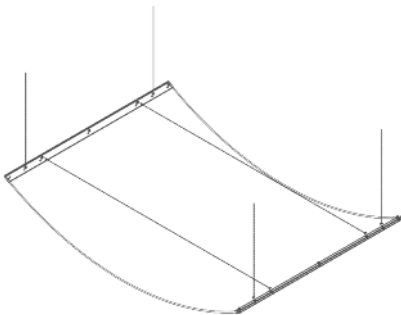
CONCAVE TO CONCAVE



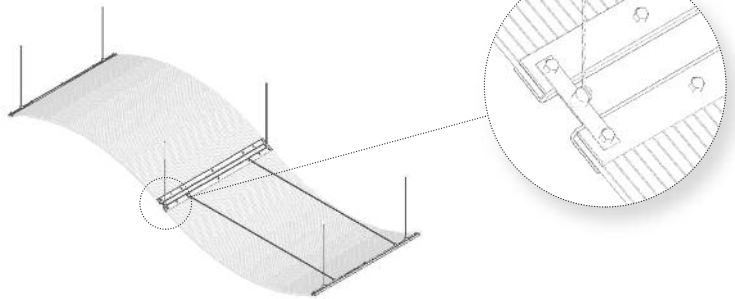
CONVEX TO CONVEX



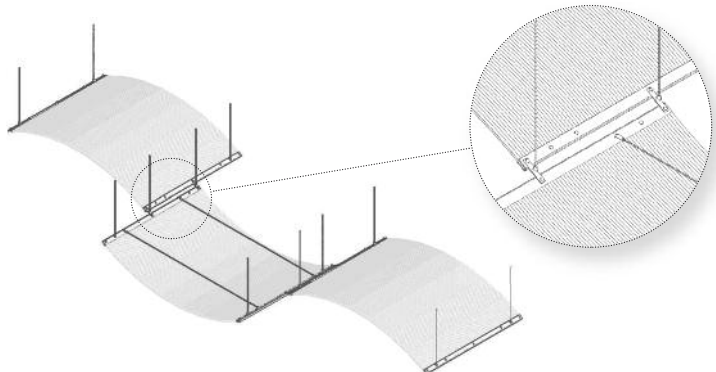
CONVEX



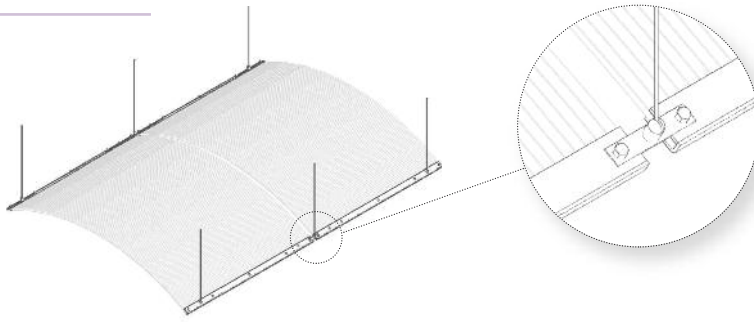
CONCAVE TO CONVEX



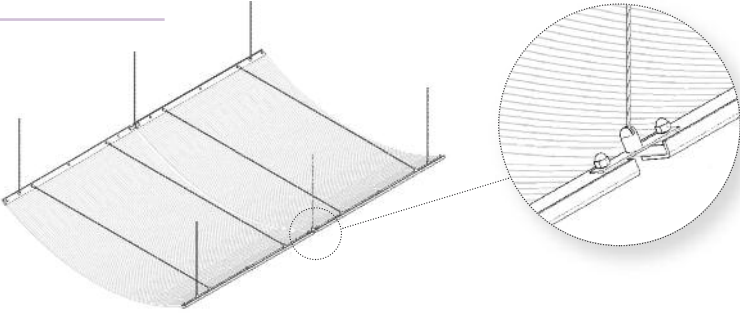
CONCAVE TO CONVEX STAGGERED



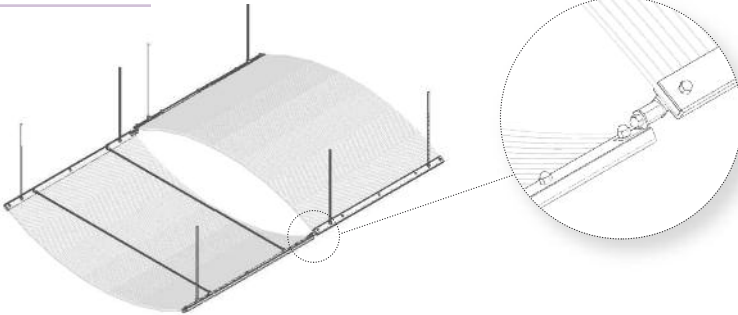
**CONCAVE TO CONCAVE
SIDE BY SIDE**



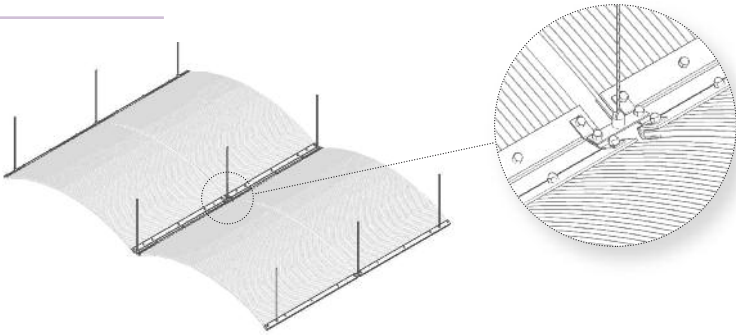
**CONVEX TO CONVEX
SIDE BY SIDE**



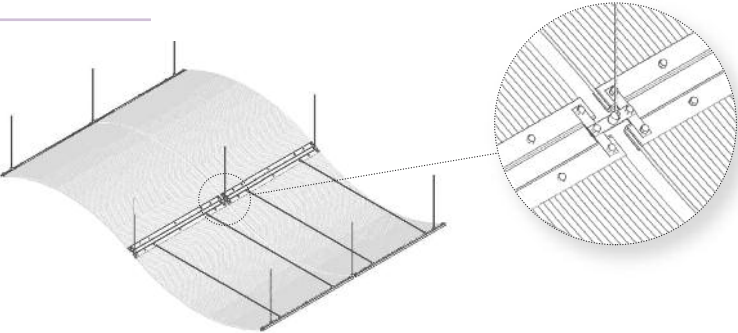
**CONCAVE TO CONVEX
SIDE BY SIDE**



**CONCAVE TO CONCAVE
CLUSTER**



**CONCAVE TO CONVEX
CLUSTER**



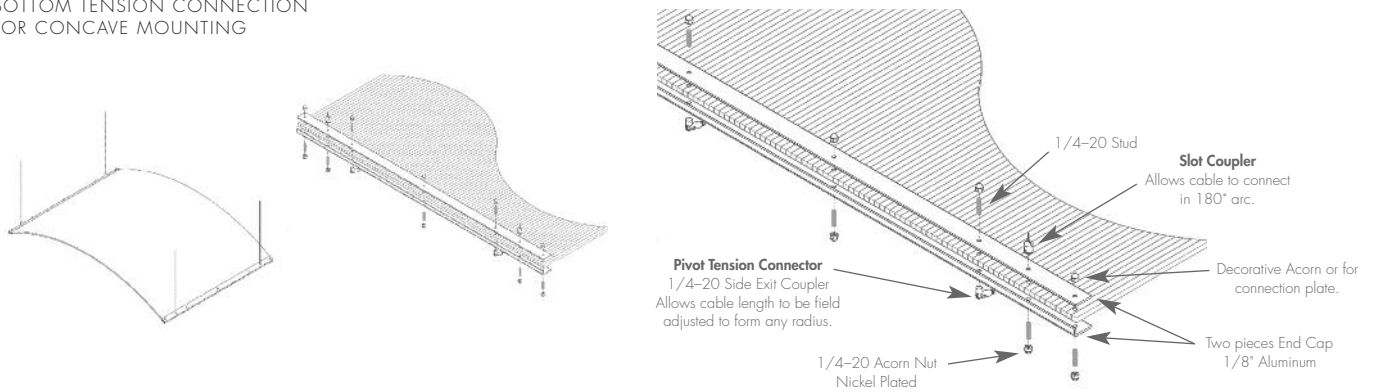
Pretense

HARDWARE

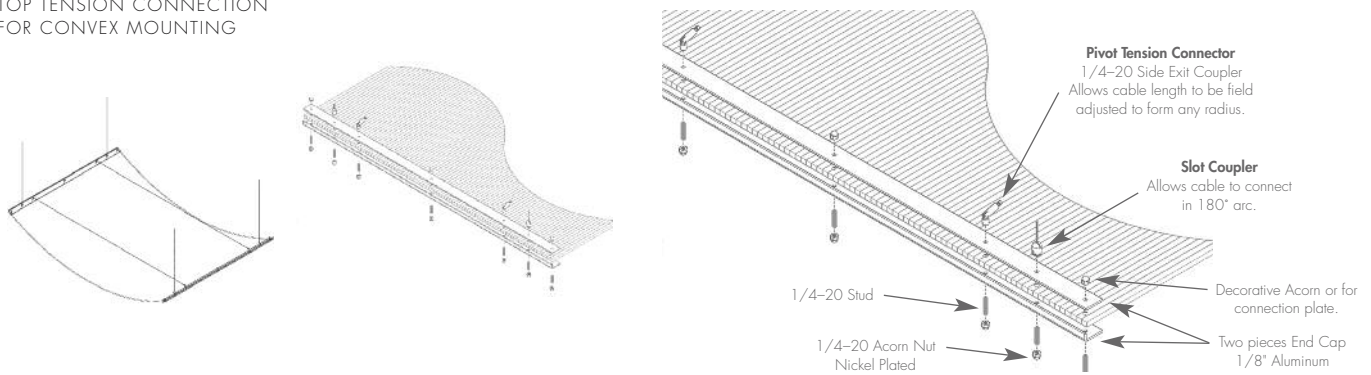
COMPLETE KIT: Every Pretense canopy comes complete with all hardware required for hanging up to and including the ceiling coupler.

END CAP: Aluminum 2 piece cap factory drilled for suspension connectors and factory assembled. Standard Finish is Silver Satin, any painted finish is available.

BOTTOM TENSION CONNECTION FOR CONCAVE MOUNTING

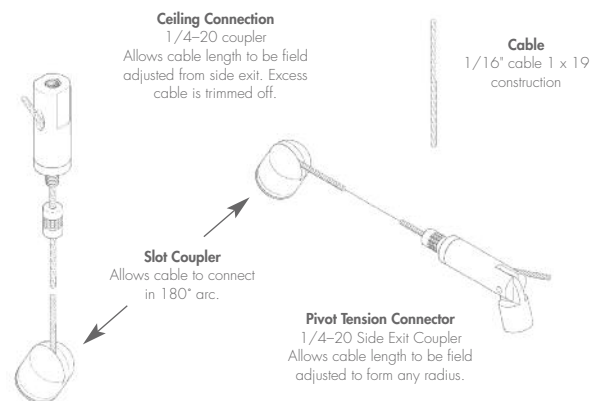


TOP TENSION CONNECTION FOR CONVEX MOUNTING



SUSPENSION: Norton Industries Unicorn Cable System comes complete with:

- Cable: 1/16" diameter 1x19 cable construction with die cast ends where meeting end connections.
- Ceiling Connection: 1/4-20 internally threaded coupler, 1/2" in diameter and 1" in length.
- Slot Coupler Connections: Allows cable to connect in 180° arc.
- Pivot Tension Connections: 1/4-20 Side exit coupler allows cable length to be field adjusted.
- Hardware/General: All coupler, gripper, plungers and fasteners used in the cable system are fingertip adjusted for precise installation. The components are nickel plated brass.





Fanning/Howey Associates, Inc.
St. Mary's Memorial High School / St. Mary's Middle School

Fire Rating: Polycarbonate resin sheets in horizontal applications offer the equivalent of a Class "A" fire rating. It has passed NFPA 286 as an interior finish in the United States as defined by Chapter 8 of the 2003 International Building Code. Polycarbonate is also considered self-extinguishing. A fire protection engineer should be consulted where automatic fire detection and suppression systems are present.

Seismic: Architectural components are allowed to swing freely as long as they will not be damaged or cause damage as stated in the International Building Code. Cable lengths less than 24" create the greatest pendulum reaction during a seismic event and are not recommended. If 24" or shorter cables are used, allow clearance around the canopy at least the length of the cable. It is not recommended to restrain canopies from movement.

Installation: Canopies come assembled with end caps installed and cables. The canopies are field tensioned to the specified cord length using the finger adjustable side exit couplers.

- ~ Pretense panels should always be installed in accordance with all applicable building codes and regulations.
- ~ Do not cut holes in or drill through Pretense canopies. Doing so may cause the panel to bend in an irregular fashion.
- ~ The lowest point of a suspended Pretense panel should be at least 7'-6" above the finished floor surface.
- ~ Pretense panels are not approved for exterior application.

- ~ Plastic panel can be damaged by exposure to high temperatures. Panel temperatures should not be permitted to exceed 100° F after the tensioning cables have been installed.
- ~ Do not allow panels to get wet.
- ~ Always install in accordance with installation instructions.

LEED Information: Multiwall polycarbonate plastic panels used to manufacture the Pretense canopy system are completely recyclable. The polycarbonate plastic canopy can be reground and remanufactured into countless types of consumer products, thus not increasing materials sent to a land fill.

LEED Credit MR2.1 & MR2.2 Construction Waste Management

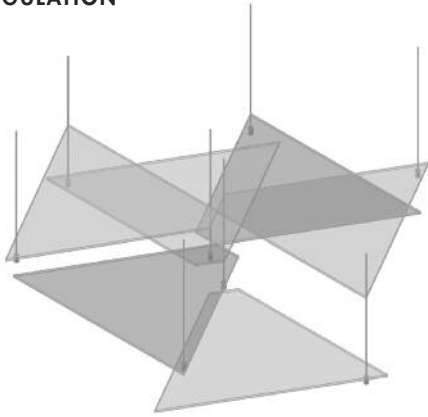
Warranty: Norton Industries guarantees to the purchaser, for one year, that all units shall be free from defects in material and workmanship. Should any defects occur within that time under conditions of normal use, Norton Industries will repair or replace, without charge, those items found to be defective. Under no circumstances will Norton Industries be liable for any labor or consequential damages attributable to defective material or workmanship.

We reserve the right to determine the best method of correcting warranty problems. Norton Industries must be contacted before corrective action is taken. No charges in connection with warranty problems will be reimbursed by Norton Industries without prior written approval from the factory.

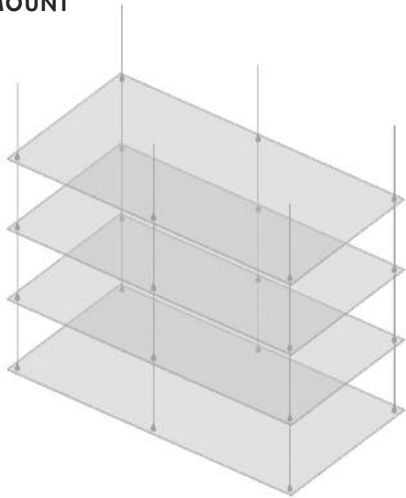
Pretense

DESIGN IDEAS

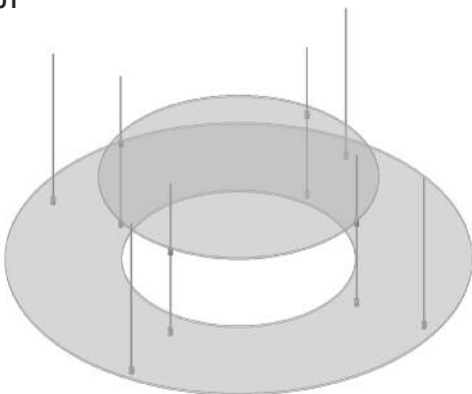
TRIANGULATION



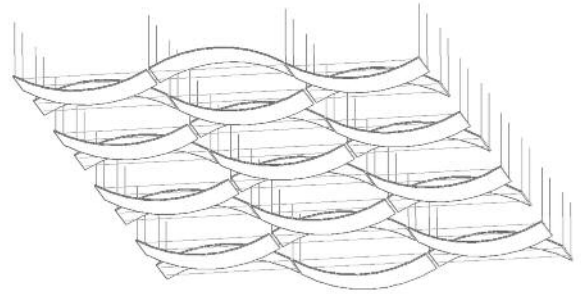
SERIAL MOUNT



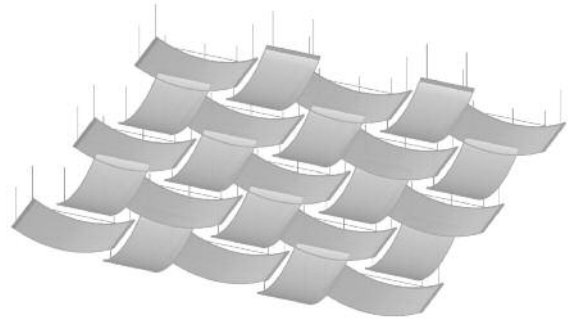
DONUT



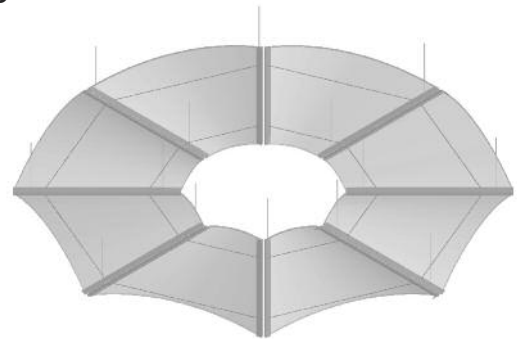
WEAVE



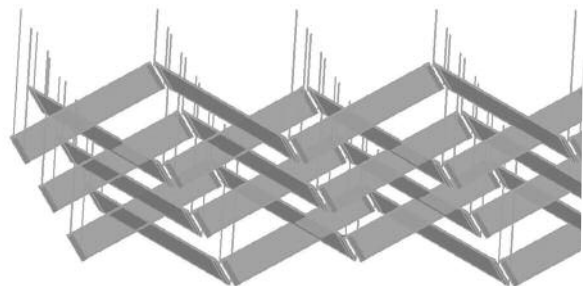
HILLS AND VALLEYS



ROUND



TILT AND DIRECT

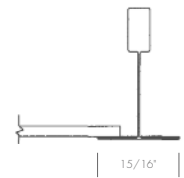
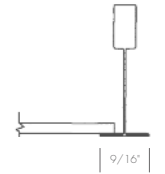


MORE TO CONSIDER...



Luminous Ceiling Application

- Lay in ceiling panel
- Multiwall linear diffusers
- Solid diffusers in entire palette of color selections
- Factory cut to size
- Standard ceiling grid compatible
- 2' x 2', 2' x 3', 2' x 4', 2' x 5' or custom



Custom GRAPHICS



Digital images, such as the butterfly.jpg file above, can be processed onto the canopy creating dazzling results. This process, as well as our color matching abilities, allow you more flexibility than ever to create custom canopies while remaining cost effective.



**NORTON
INDUSTRIES**
INCORPORATED

1366 W. 117TH ST. ■ LAKEWOOD, OH ■ 44107 USA
TEL (216) 228-6650 ■ (888) 357-2345 ■ **FAX** (800) 462-6650
WWW.NORTONCEILINGS.COM

ASK FOR OUR OTHER CATALOGS:

Cell Systems
Custom Suspension Systems
Linear Wood
Louvers & Lenses
Skylites
Wood Coffers
Wood Grille Ceilings
Wood Louver Ceilings
Wood Panel Ceilings