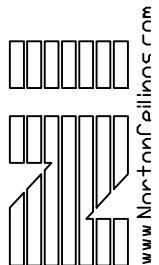


1/4" Solid extruded Polycarbonate Panel used in configuration with Norton Unicorn Cable System to create a Pretense Canopy. Complete up to Ceiling couplers.

Colors Available	Type of Arc	Sizes & Radius			
		Width	Arc Length	Arc	Cord Length
See Brochure	Concave Convex	16" and 24"	4'	60°	3'-9 3/4"
		16" and 24"	5'	60°	4'-9 5/16"
		16" and 24"	5'	90°	4'-6"
		16" and 24"	6'	60°	5'-8 3/4"
		16" and 24"	6'	90°	5'-4 13/16"
		*custom sizes and shapes available			

NORTON INDUSTRIES
ARCHITECTURAL BUILDING SYSTEMS
 1366 West 117th Street Lakewood, Ohio 44107 (216) 228-6650 or (888) 357-2345 Fax (216) 228-9065 or (800) 462-6650

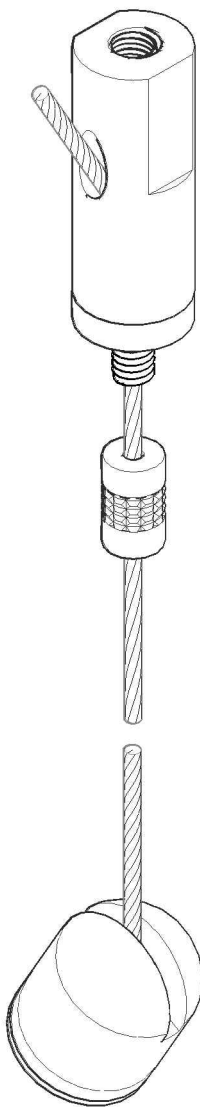


www.NortonCollins.com

"Looking Forward to Looking Up"™

Pretense Solid Panel Detail				ARCHITECT	
				CUSTOMER	
DWG. #	DATE	DRWN	CHECK	REPRESENTATIVE	
102210-2	10-22-10	A.R.	J.N.		

JOB #		
#	REVISIONS	DATE



Ceiling Connection
1/4-20 coupler

Allows cable length to be field adjusted from side exit. Excess cable is trimmed off.

Slot Coupler

Allows cable to connect in 180° arc

Pivot Tension Connector
1/4-20 Side Exit Coupler

Allows cable length to be field adjusted to form any radius.

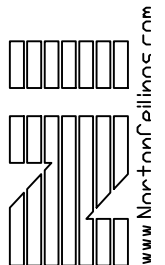


Cable

1/16" cable 1x19 construction

NORTON INDUSTRIES
ARCHITECTURAL BUILDING SYSTEMS

1366 West 117th Street Lakewood, Ohio 44107 (216) 228-6650 or (888) 357-2345 Fax (216) 228-9065 or (800) 462-6650



"Looking Forward to Looking Up"™

Pretense
Connectors

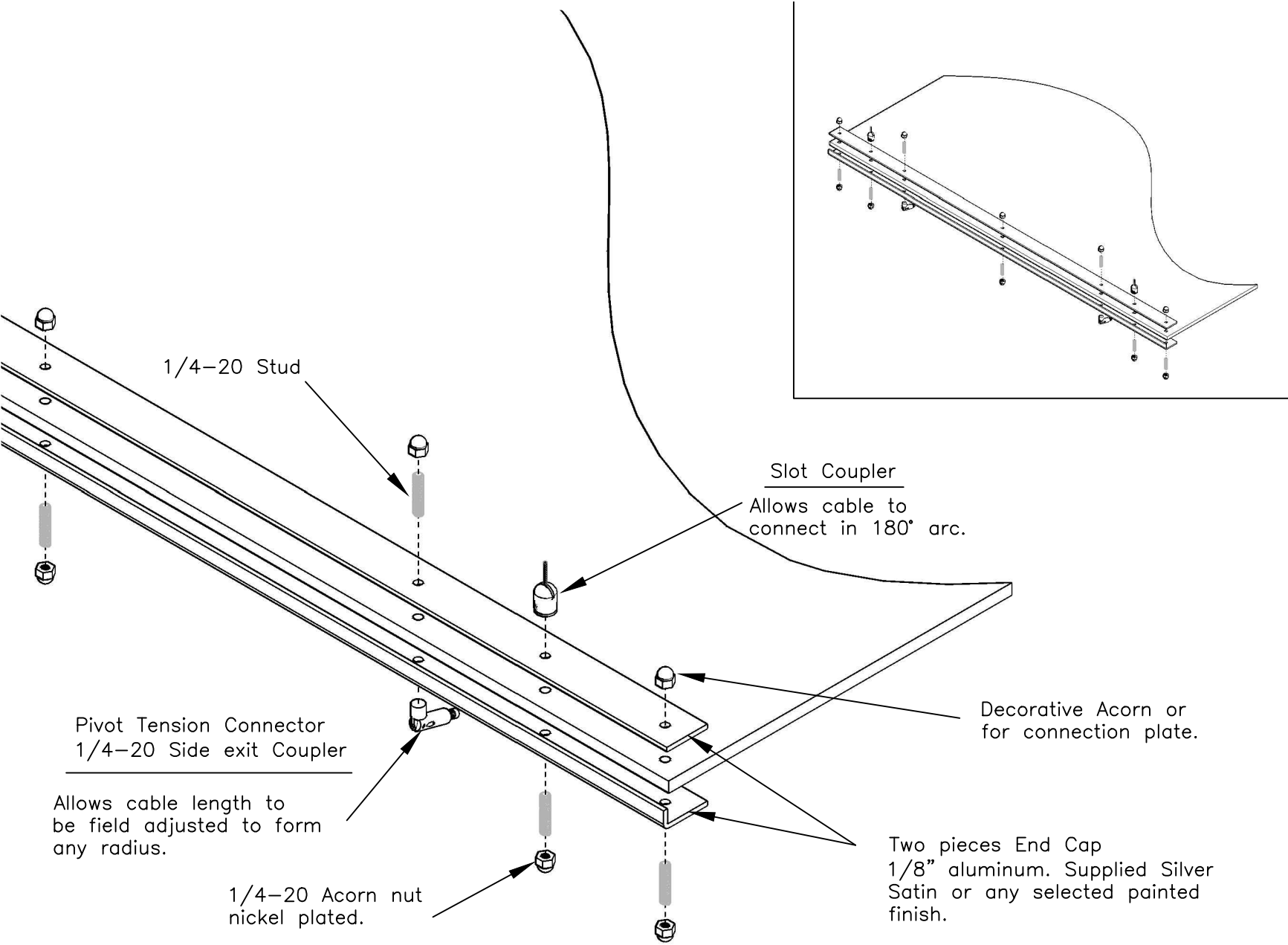
DWG. #	DATE	DRWN	CHECK
110810-1	11-08-10	A.R.	J.N.

ARCHITECT

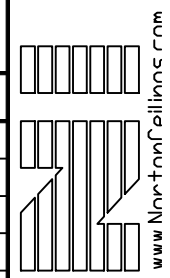
CUSTOMER

REPRESENTATIVE

JOB #		
#	REVISIONS	DATE



NORTON INDUSTRIES
ARCHITECTURAL BUILDING SYSTEMS
 1366 West 117th Street Lakewood, Ohio 44107 (216) 228-6650 or (888) 357-2345 Fax (216) 228-9065 or (800) 462-6650



"Looking Forward to Looking Up"™

Pretense				ARCHITECT
				CUSTOMER
DWG. #	DATE	DRWN	CHECK	REPRESENTATIVE
072010-1	7-20-10	A.R.	J.N.	

JOB #		
#	REVISIONS	DATE